



Putting Patients First

Products available through Nightingale Home Delivery Service

1. Call **Freephone 0800 304 7434**
2. Please ensure you have your GP details to hand.
3. Tell us which products are required and how many.

That's all – we will do everything else!

Please make sure you have at least two week's supply in hand before re-ordering.

Washing Instructions

- 1) The Libra Leg Bag Strap can be handwashed. It is not suitable for machine wash
- 2) Do not Iron or Tumbledry



Libra Leg Bag Strap

Instructions For Use

 Great Bear Healthcare Ltd
 1 Lambourne Crescent,
 Cardiff Business Park,
 Cardiff, CF14 5GF
 T +44 (0) 29 2074 7770

mail@gbhl.co.uk
 www.greatbearhealthcare.co.uk



MediReps Ltd

First Floor, Penrose One,
 Penrose Dock, Cork City,
 T23 KW81,
 Ireland

LIBRALBSIFUV4/2023



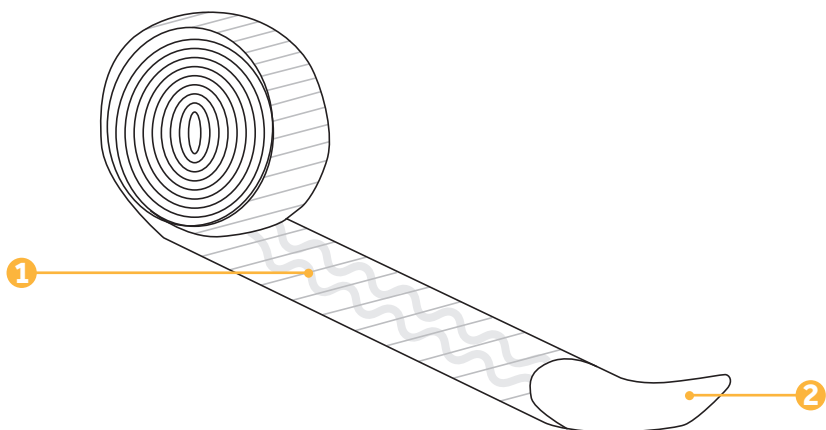
A UK manufacturer committed to Urology.

Your Libra® Leg Bag Strap

The Libra Leg Bag Strap secures a leg bag to the leg.

They feature a Velcro style fastening for closure.

Important: Do not let your leg bag hang unsupported from your Catheter as this will cause urethral discomfort and trauma.



Key

1 Silicone Lines

2 Velcro Tab

Before Use

- 1) Ensure you are using the correct length strap as indicated in the table below

Order Codes

Code	Leg Position	Size	Use With	Quantity
10622C	Calf	70cm:30cm	Long Tube and Adjustable Tube Leg Bags	5 Pairs
10637T	Thigh	60cm:40cm	Short Tube and Direct Inlet Leg Bags	5 Pairs

Instructions For Use

- 1) Feed the longer Libra Leg Bag strap (60cm or 70cm) through the 4 eyelets at the top of your leg bag (Diagram 1)
- 2) Feed the shorter Libra Leg Bag strap (40cm or 30cm) through the 2 eyelets at the bottom of your leg bag (Diagram 1)
- 3) Ensure the silicone lines(1) will be facing your skin
- 4) Wrap the straps around your thigh or calf in the desired position (Diagram 2)
- 5) Secure using the Velcro tabs(2). Ensure the strap is not overtightened around the leg as this can affect circulation

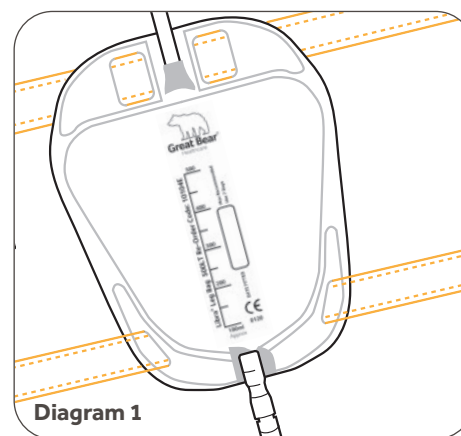


Diagram 1

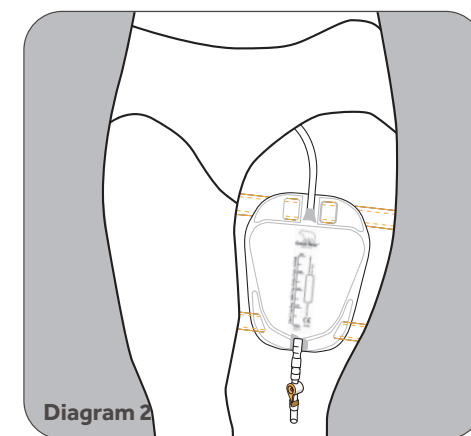


Diagram 2

Cautions

- Use of any medical device carries associated risks. Device failures are rare, however in the event of a device failure of this product, you should contact Great Bear Healthcare using the details provided within this leaflet
- If a failure has resulted in a serious incident, such as significant deterioration of health or death, you should contact Great Bear Healthcare and your local Competent Authority as soon as possible. Details of your local Competent Authority can be found on your local government website